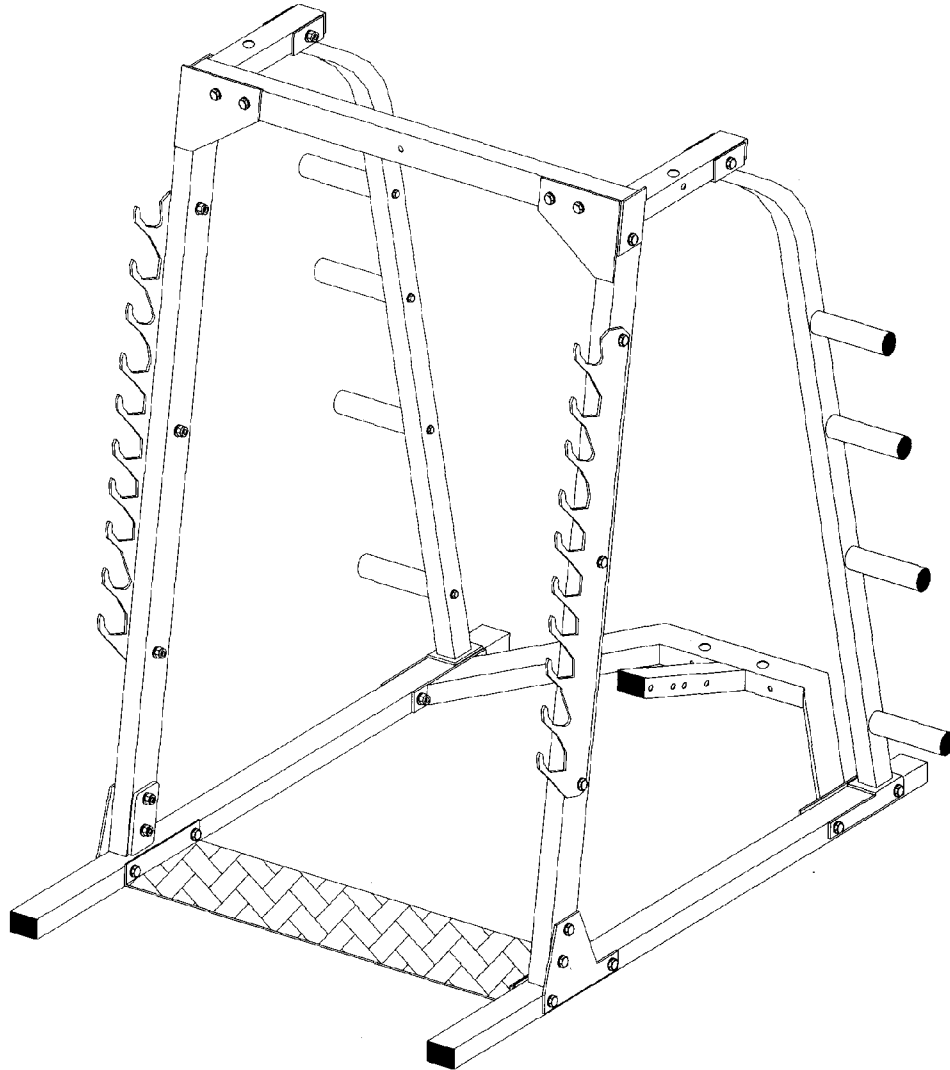


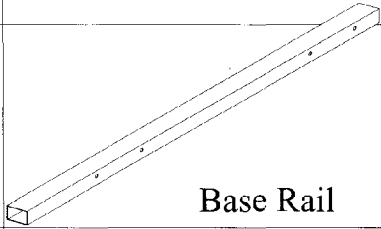
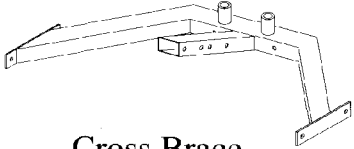
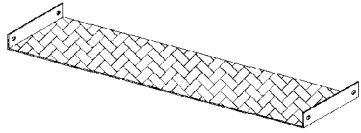
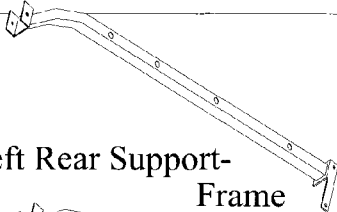
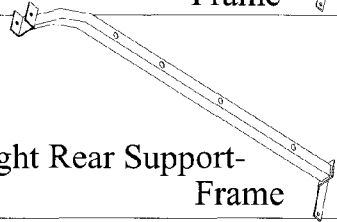
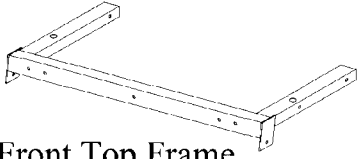
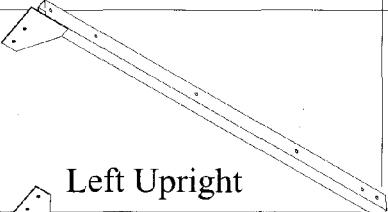
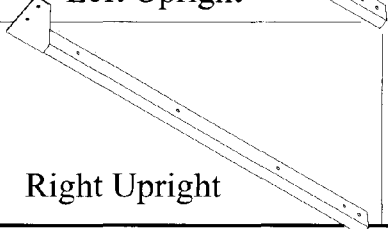
Plus-X

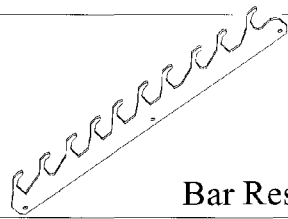
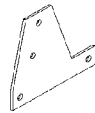

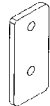


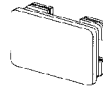
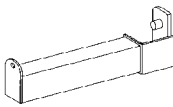


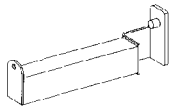


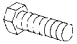
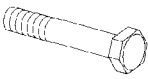
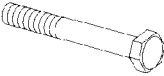
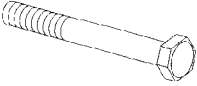
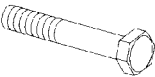
Model:SM-1008

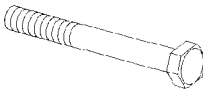




Assembly Instructions

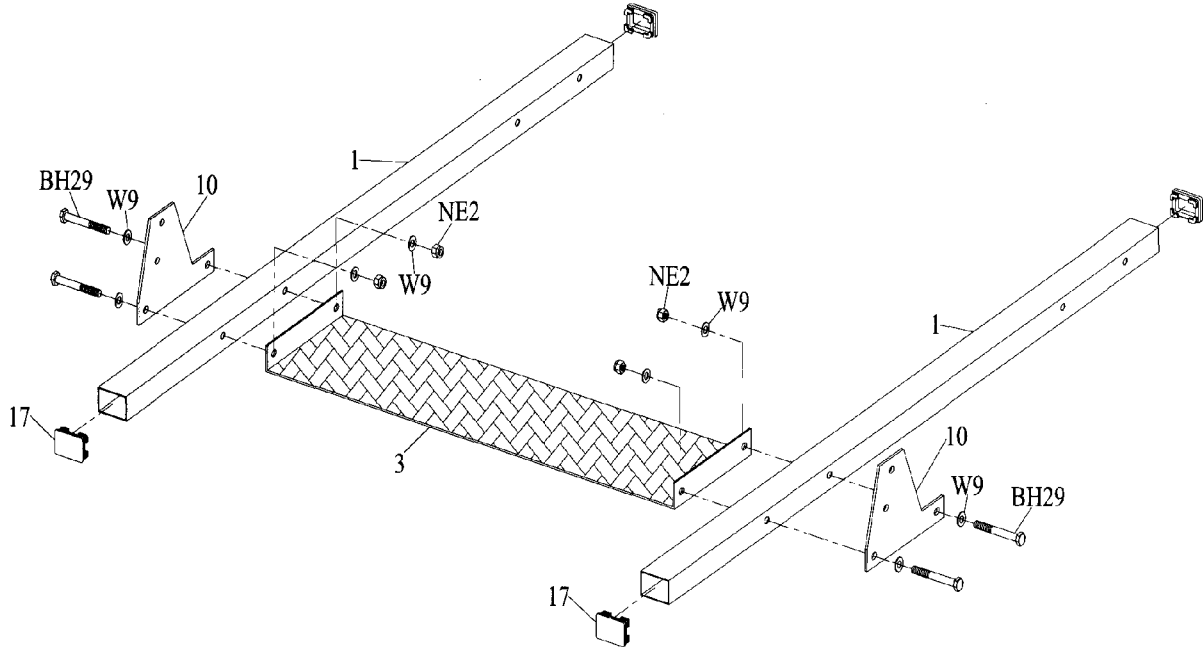
Version:1
Date:10/03

NO.	DRAWING	Q'TY
1	 Base Rail	2
2	 Cross Brace	1
3	 Foot Plate	1
4L	 Left Rear Support- Frame	1
4R	 Right Rear Support- Frame	1
6	 Front Top Frame	1
7L	 Left Upright	1
7R	 Right Upright	1

NO.	DRAWING	Q'TY
9	 Bar Rest	2
10	 Upright Support Plate	2
13	 Weight Plate Holder	8
14	 Steel Plate	2
15	 Steel Plate	2
16	 End Cap 1-7/8" Dia.	8
17	 End Cap 2"*3"	7
53R	 Right Safety Rail	1

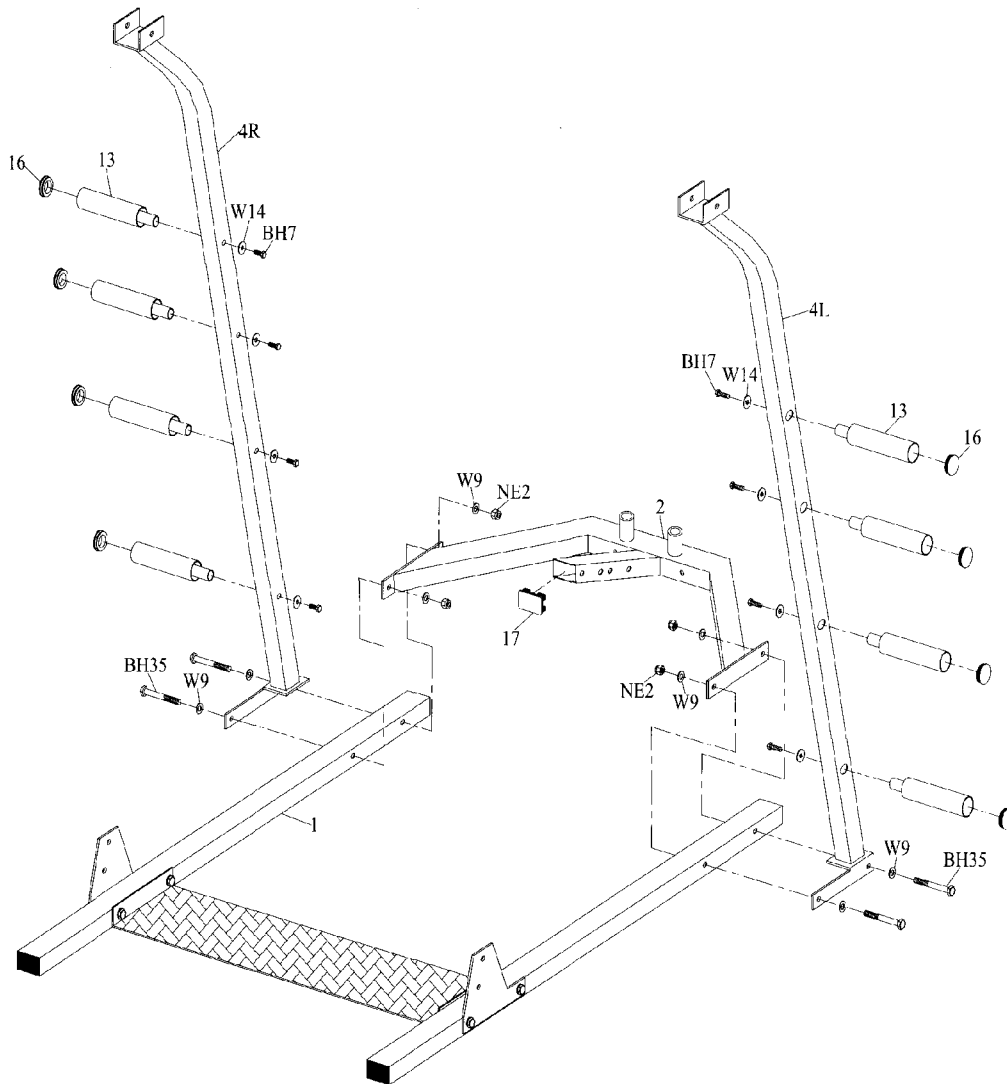
NO.	DRAWING	Q'TY
53L	 Left Safety Rail	1
54	 Rubber Strip	2
55	 Glide	4
BH7	 Hex Bolt 3/8"*1"	8
BH26	 Hex Bolt 1/2"*3"	8
BH28	 Hex Bolt 1/2"*4"	2
BH35	 Hex Bolt 1/2"*4-1/8"	4
BH36	 Hex Bolt 1/2"*3-1/8"	8

NO.	DRAWING	Q'TY
BH29	 Hex Bolt 1/2"*4-1/4"	4
W9	 Washer 1/2"*1"	52
W14	 Washer 3/8"*1-3/16"	8
NE2	 Lock Nut 1/2"	26
BS5	 Set Screw 3/8"*3/8"	4



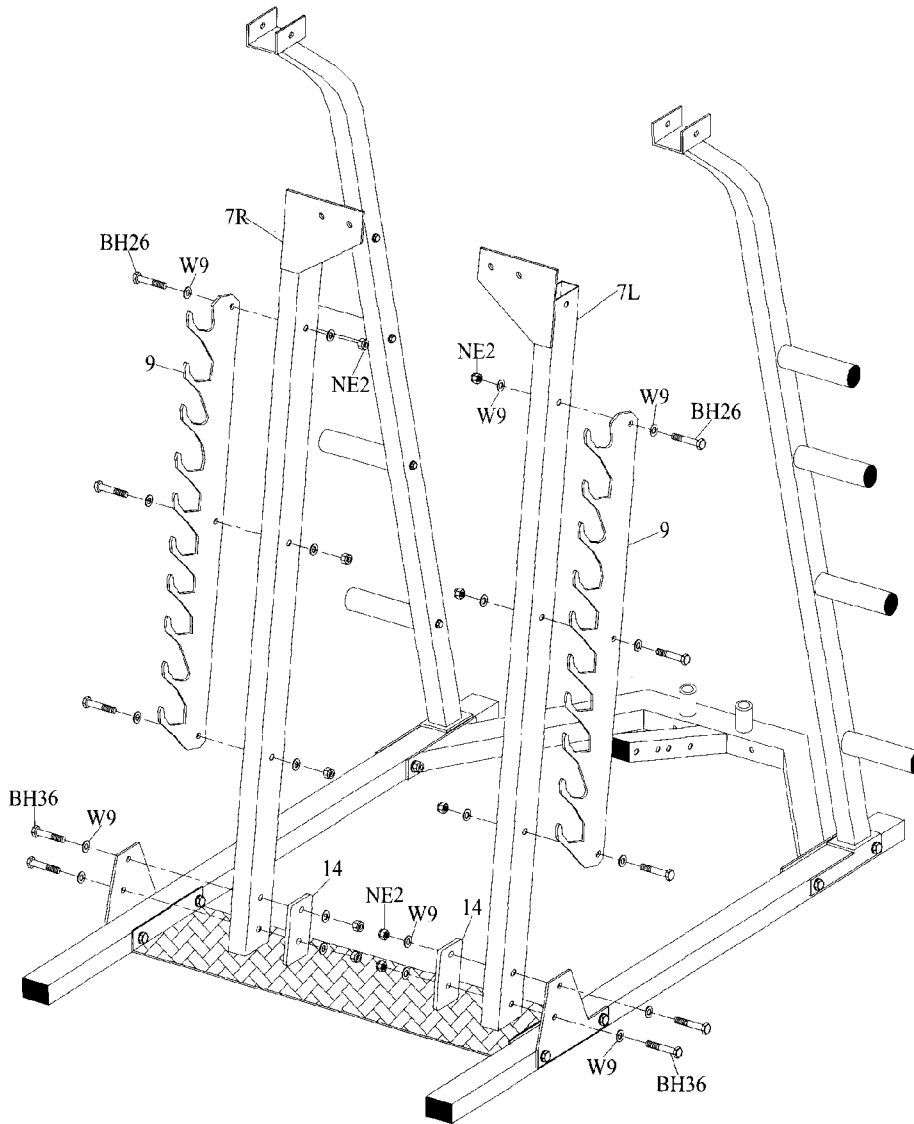
SM-1008 FIGURE 1

- A. Attach Base Rails (1) to both sides of Foot Plates (3) through Upright Support Plates (10) with bolts (BH29), washers (W9) and nuts (NE2).
- B. Insert End Caps (17) as shown.



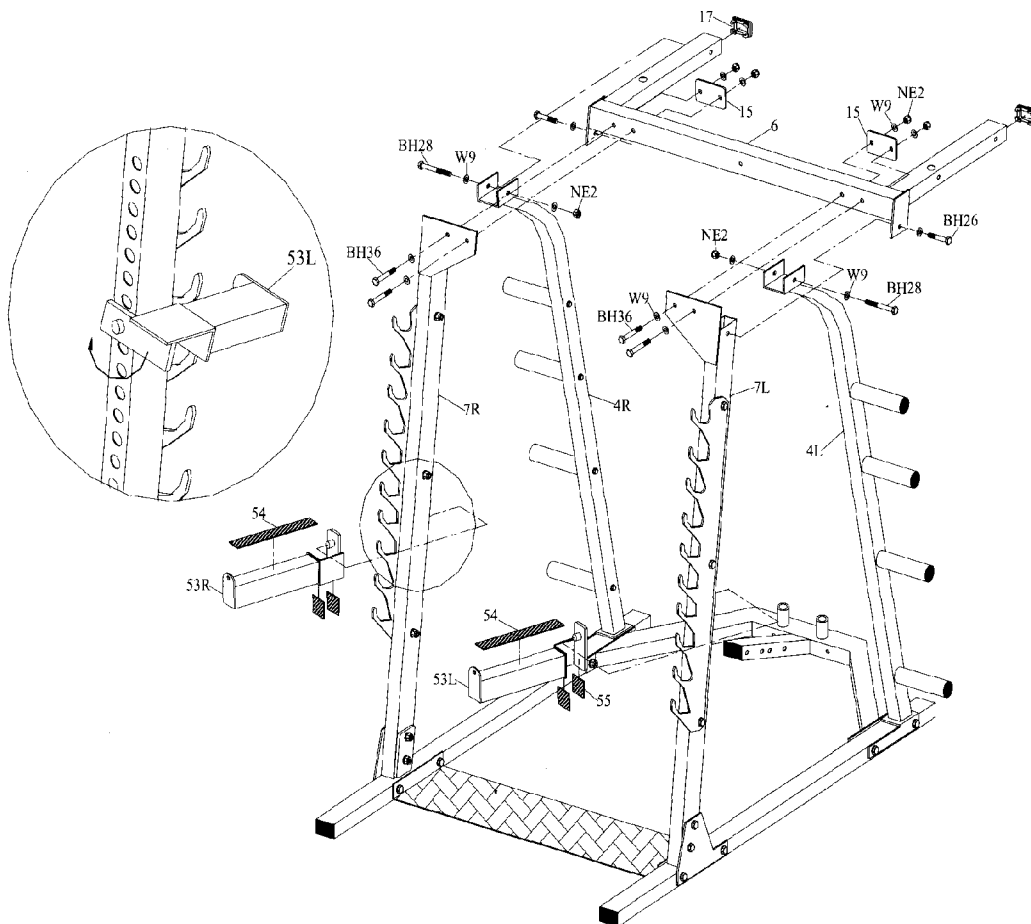
SM-1008 FIGURE 2

- A. Attach Left/Right Rear Support Frames (4L&4R) and Cross Brace (2) to Base Rails (1) with bolts (BH35), washers (W9) and nuts (NE2) firmly.
- B. Attach Weight Plate Holders (13) to Left/Right Rear Support Frames (4L&4R) with bolts (BH7) and washers (W14) as shown.
- C. Insert all End Caps (16) & (17).



SM-1008 FIGURE 3

- A. Attach Left/Right Uprights (7L&7R) to Base Rails (1) through Steel Plates (14) with bolts (BH36) , washers (W9) and nuts (NE2).
- B. Attach Bar Rests (9) to Left/Right Uprights (7L&7R) with bolts (BH26), washers (W9) and nuts (NE2) firmly.



SM-1008 FIGURE 4

- A. Attach Front Top Frame (6) to Left/Right Rear Support Frame (4L&4R) with bolts (BH28), washers (W9) and nuts (NE2), then screw to Left/Right Uprights (7L&7R) through Steel Plates (15) with bolts (BH36), washers (W9) and nuts (NE2) firmly.
- B. Insert End Caps (17).
- C. Attach Rubber Strips (54) and Glides (55) to Right/Left Safety Rails (53R&53L) as shown in Figure 4.

Maintenance Parts List of PSM Series

NO.	PART#	DESCRIPTION	NO.	PART#	DESCRIPTION
1	011101092	Base Rail	BS5	030010037	Set Screw 3/8"*3/8"
2	011101093	Cross Brace	-	020199001	Touch Up Paint
3	010001099	Foot Plate			
4L	011101094	Left Rear Support Frame			
4R	011101095	Right Rear Support Frame			
6	011101096	Front Top Frame			
7L	011101097	Left Upright			
7R	011101098	Right Upright			
9	010001111	Bar Rest			
10	010001100	Upright Support Plate			
13	010001103	Weight Plate Holder			
14	010001104	Steel Plate			
15	010001105	Steel Plate			
16	020011012	End Cap 1-7/8"Dia.			
17	020011026	End Cap 2"*3"			
53R	010002029	Right Safety Rail			
53L	010002030	Left Safety Rail			
54	030005001	Rubber Strip			
55	030005002	Glide			
BH7	030010006	Hex Bolt 3/8"*1"			
BH26	030010026	Hex Bolt 1/2"*3"			
BH28	030010035	Hex Bolt 1/2"*4			
BH35	030010043	Hex Bolt 1/2"*4-1/8"			
BH36	030010044	Hex Bolt 1/2"*3-1/8"			
BH29	030010045	Hex Bolt 1/2"*4-1/4"			
W9	030011003	Washer 1/2"*1"			
W14	030011009	Washer 3/8"*1-3/16"			
NE2	030012002	Lock Nut 1/2"			