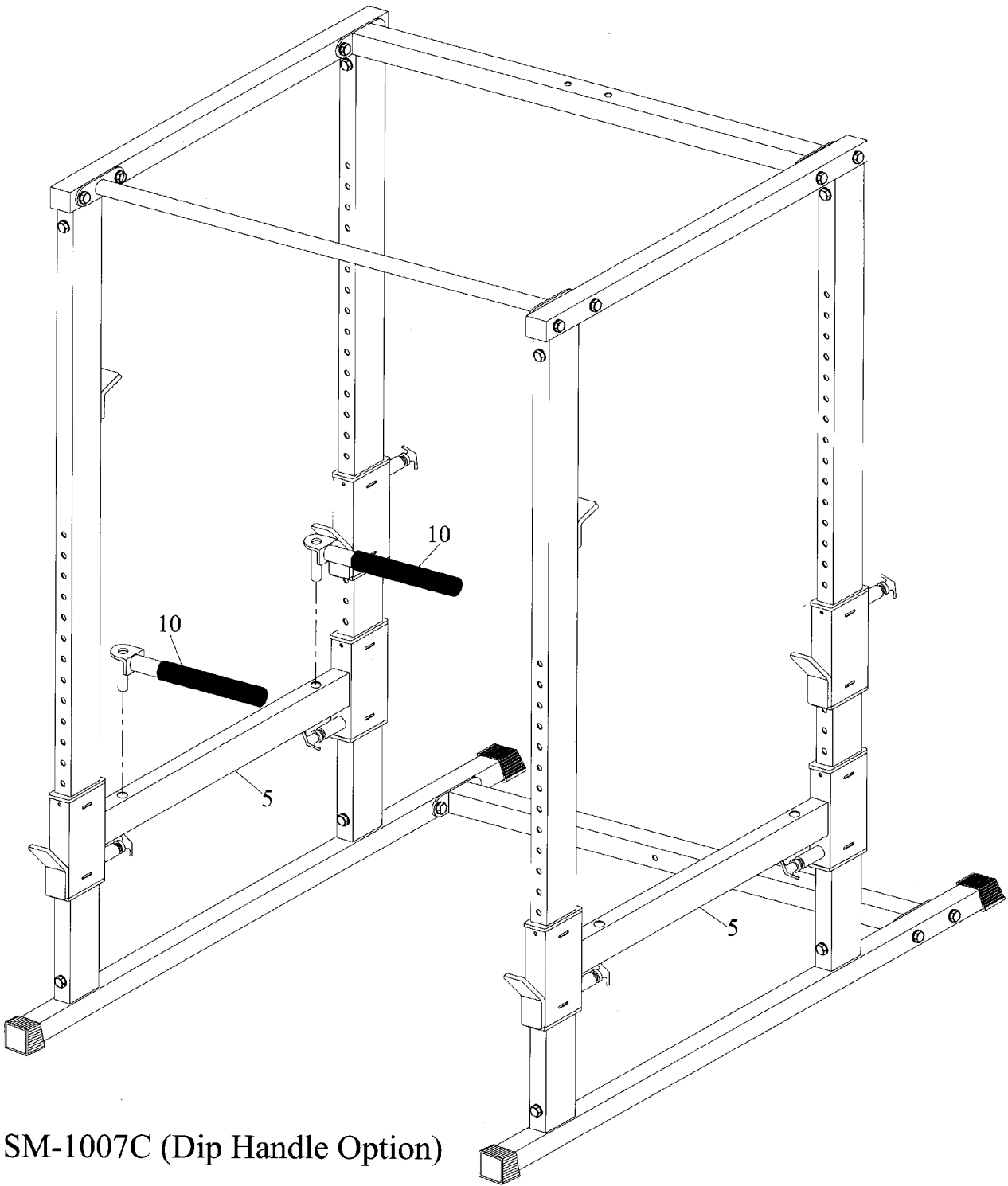



Model: SM-1007C
(Dip Handles Option for SM-1007)
Assembly Instructions

Version: 1
Date: 10/03



SM-1007C (Dip Handle Option)

Attach Dip Handles (10) to Safety Rails (5) as shown.

NO.	DRAWING	Q'TY
10	 <p data-bbox="293 625 495 667">Dip Handle</p>	2

NO.	DRAWING	Q'TY

Maintenance Parts List of PSM Series

NO.	PART#	DESCRIPTION	NO.	PART#	DESCRIPTION
10	010001073	Dip Handle			