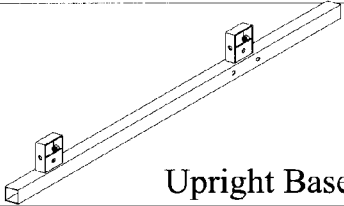
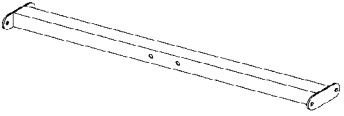
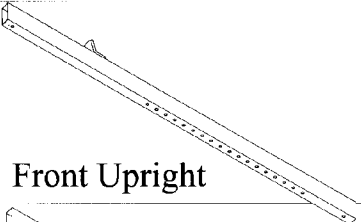
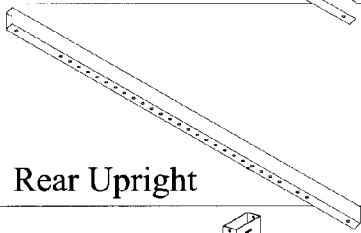
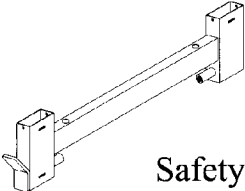
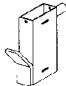
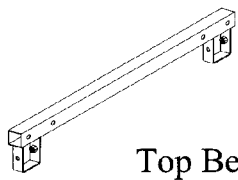
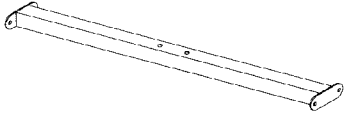

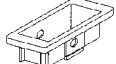
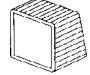

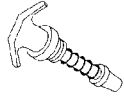

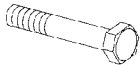




Model: SM-1007
Assembly Instructions

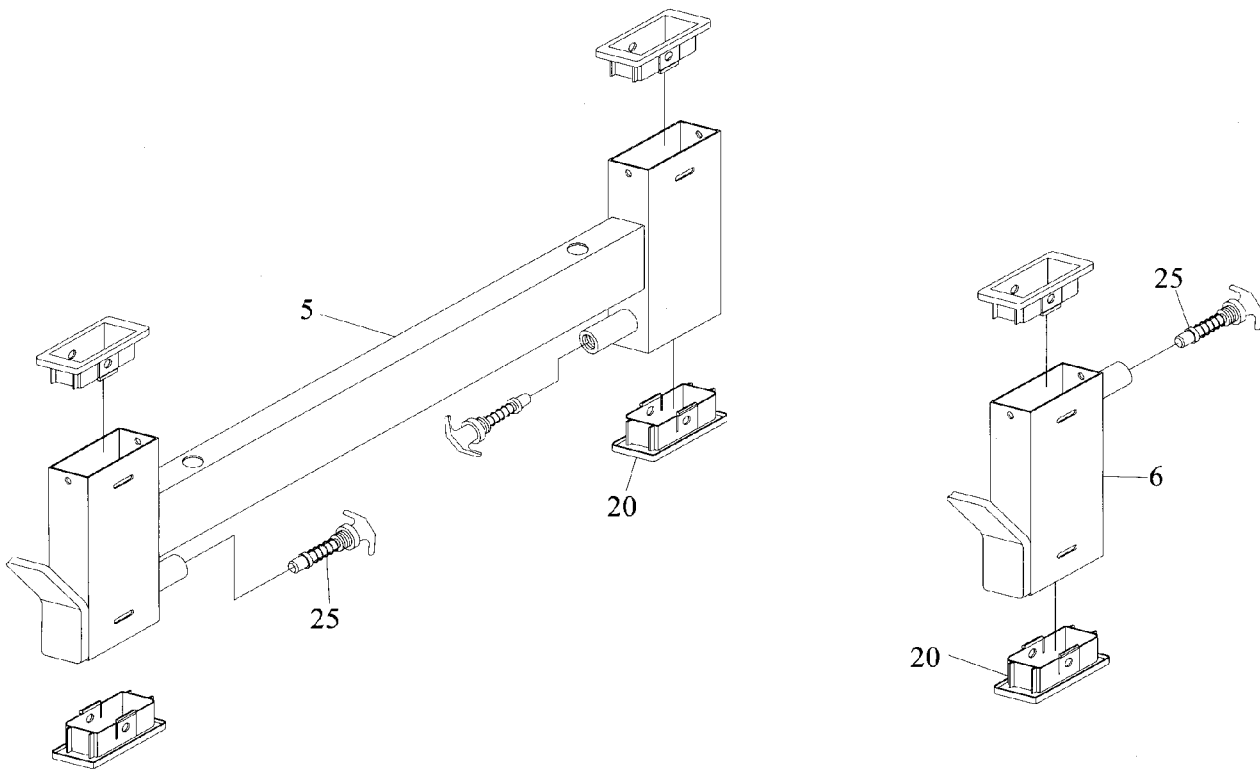
Version: 1
Date: 10/03

NO.	DRAWING	Q'TY
1	 Upright Base	2
2	 Lower Connector	1
3	 Front Upright	2
4	 Rear Upright	2
5	 Safety Rail	2
6	 Bar Support	2
7	 Top Beam	2
8	 Top Connector	1

NO.	DRAWING	Q'TY
9	 Top Cross Bar	1
20	 Spacer 1-9/16"*3-1/8"	12
21	 End Cap	4
22	 End Cap 2"*2"	4
25	 Spring Pop Pin	6
BH25	 Hex Bolt 1/2"*1"	20
BH26	 Hex Bolt 1/2"*3"	12
W9	 Washer 1/2"*1"	44

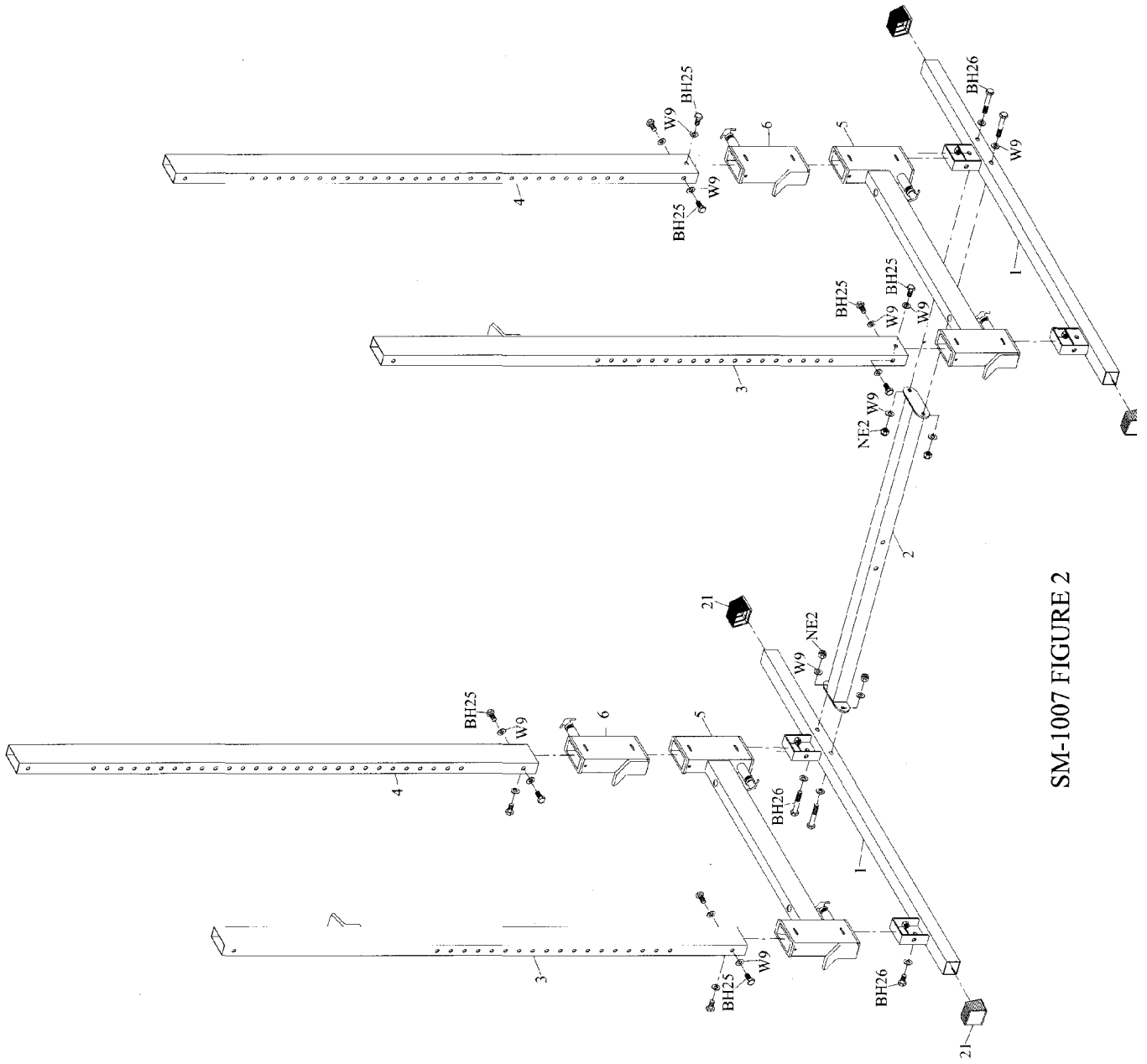
NO.	DRAWING	Q'TY
NE2	 Lock Nut 1/2"	12

NO.	DRAWING	Q'TY



SM-1007 FIGURE 1

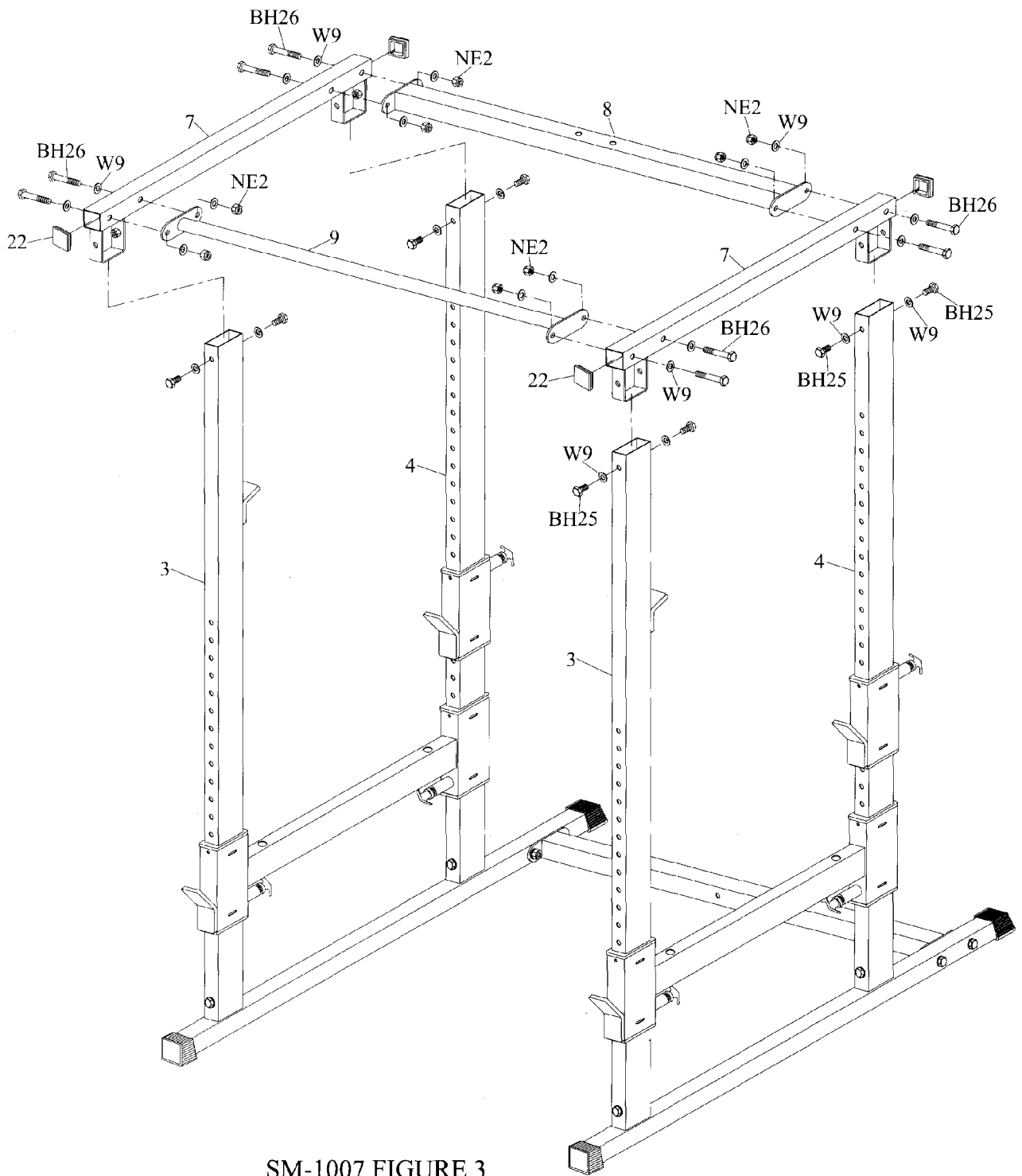
Insert End Caps (20) into Safety Rails (5) and Bar Supports (6) as show in Figure 1.



SM-1007 FIGURE 2

FIGURE 2

- A. Attach Lower Connector (2) to Upright Bases (1) with bolts (BH26), washers (W9) and nuts (NE2) firmly.
- B. Attach Front and Rear Uprights (3 & 4) to Upright Bases (1) through Safety Rails (5) and Bar Supports (6) with bolts (BH25), washers (W9) and nuts (NE2) as shown in Figure 2.
- C. Insert End Caps (21) accordingly.



SM-1007 FIGURE 3

- A. Attach Top Beams (7) to Front and Rear Uprights (3 & 4) with bolts (BH25) and washers (W9) as shown.
- B. Attach Top Connector (8) and Top Cross Bar (9) to Top Beams (7) with bolt (BH26), washer (W9) and nut (NE2) firmly.

